

TDJ-5158P6A

5GHz Dish Antenna

Technical Sheet



Applications

- 5.1GHz/5.5GHz/5.8GHz WLAN
- 5GHz WiMax System
- Client /Backhaul Antenna

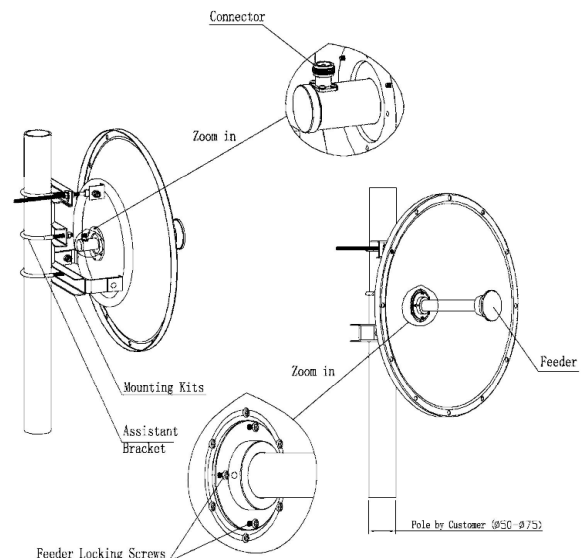
Features

- High Gain, Good F/B Ratio
- High Precise Parabolic Dish
- UV-Coated Aluminium Alloy
- V/H Polarization is Compatible
- Standard Mounting Kits

Specifications

Model	TDJ-5158P6A
Freq. Range-MHz	5150 to 5850
Bandwidth-MHz	700
Gain-dBi	28.5
Ver. Beamwidth-°	5
Hor. Beamwidth-°	5
F/B Ratio-dB	≥35
VSWR	≤1.5
Impedance-Ω	50
Polarization	Vertical or Horizontal
Max. Power-W	100
Connector Type	N Female
Caliber Size-m	φ 0.6
Weight-Kg	5.5
Pole Diameter-mm	φ 50 to 75

Installation Sketch



Installation:

1. Fixing mounting kits and Feeder to parabolic dish, notice the polarization mark.
2. Installing assistant bracket, then install antenna above the assistant bracket, not fixing screws of the mounting kits.
3. To make the received signal maximum by adjusting antenna's azimuth and elevation, then fix screws of the mounting kits and move the assistant bracket to the illustrated place.
4. Antenna's polarization can be adjusted by rotating the feeder. When the connector is vertical, antenna work at vertical polarization mode, otherwise at horizontal polarization mode.



Kenbotong Communication LTD.

Addr: Kenbotong Technology Park, No.2 Chanxiu Road, Foshan, Guangdong, China 528061

Tel: +86-757-82219788, 82126632 Fax: +86-757-82212072

Email: kbt@kenbotong.com web: <http://www.kenbotong.com>