

TDJ-5158P9A×2

5GHz Dish Antenna

Technical Sheet



Applications

- 5.1GHz/5.5GHz/5.8GHz WLAN
- 5GHz WiMax System
- Wireless Bridge

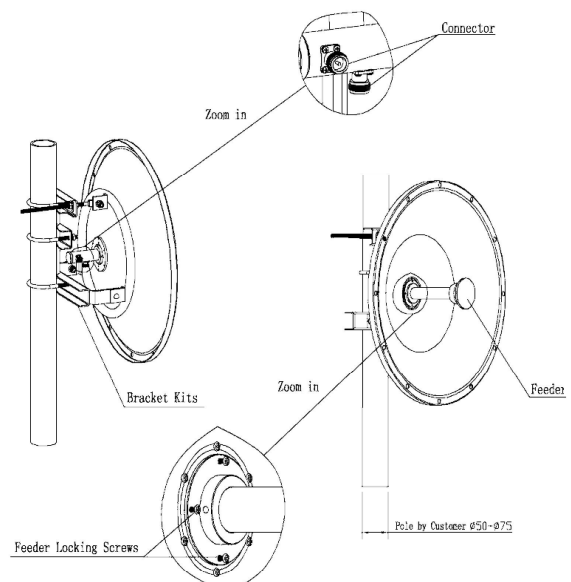
Features

- High Gain, Large F/B Ratio
- High Precise Parabolic Dish
- UV-Coated Aluminium Alloy
- V/H Dual Polarization
- Standard Mounting Kits

Specifications

Model	TDJ-5158P9A×2
Freq. Range-MHz	5150~5850
Bandwidth-MHz	700
Gain-dBi	32
Ver. Beamwidth-°	3.5
Hor. Beamwidth-°	3.5
F/B Ratio-dB	≥40
Isolation-dB	≥28
VSWR	≤1.5
Impedance-Ω	50
Polarization	Vertical and Horizontal
Max. Power-W	100
Connector Type	N Female/N Female
Caliber Size-m	φ 0.9
Weight-Kg	10.5
Pole Diameter-mm	φ 50~75

Install Sketch



Installation:

1. Fixing mounting kits and feeder to parabolic dish, notice the polarization mark.
2. Installing assistant bracket, then install antenna above the assistant bracket, not fixing screws of the mounting kits.
3. To make the received signal maximum by adjusting antenna's azimuth and elevation, then fix screws of the mounting kits and move the assistant bracket to the illustrated place.
4. Antenna is work at V/H dual polarization mode. Antenna's polarization can be adjusted by rotating the feeder. When the connector is vertical, antenna work at vertical polarization mode, otherwise at horizontal polarization mode.



Kenbotong Communication LTD.

Addr: Kenbotong Technology Park, No.2 Chanxiu Road, Foshan, Guangdong, China, 528061

Tel: +86-757-82219788, 82126632 Fax: +86-757-82212072

Email: kbt@kenbotong.com web: <http://www.kenbotong.com>